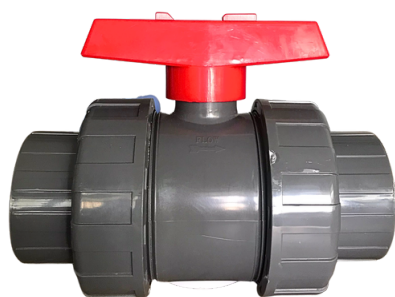


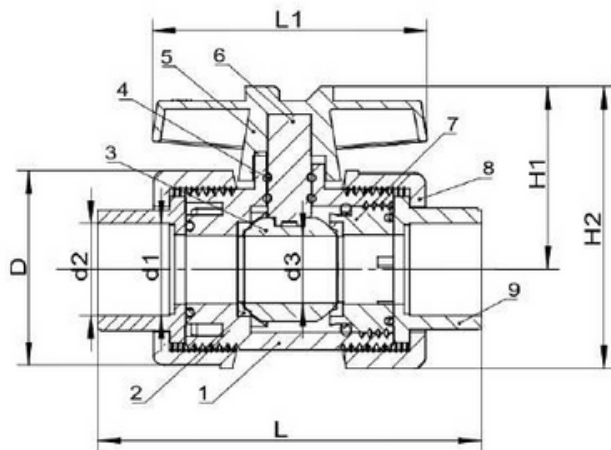
DOUBLE UNION BALL VALVE UPVC - VANFIT



Size 1/2" - 2"



Size 2-1/2" - 4"



Model : VF1

Specification : DN15-DN100 (1/2"-4")

Materials : UPVC

Working Pressure : PN10

Working Temperature : 0°C - 45°C

Standards : DIN/ANSI/BS/BSPT

Connection : Socket/Threaded

SPECIFICATION OF MATERIAL

NO	PART	MATERIAL	QTY
1	BODY	UPVC	1
2	SEAT SEAL	TPE	2
3	O-RING	NBR/EPDM	1
4	ENDCONNECTOR	UPVC	2
5	40-63 HANDLE 1	UPVC	1
6	STEM	Abs	1
7	SEAT CARRIER	UPVC	1
8	UNION NUT	UPVC	2
9	O-RING 10	NBR/EPDM	1
10	O-RING 11	NBR/EPDM	1
11	O-RING 12	NBR/EPDM	1

SIZE	d3	D	L	L1	H2	ANSI		DIN	
						d2	d1	d2	d1
1/2"	15	48.8	111	79	73	21.54	21.23	20.30	20.10
3/4"	20	60.5	127	90	83	26.87	26.57	25.30	25.10
1"	25	69.5	139	103	103	33.65	33.27	32.30	32.10
1-1/4"	32	83	158	110	120	42.42	42.04	40.30	40.10
1-1/2"	40	95	174	120	134.7	48.56	48.11	50.30	50.10
2"	50	114	210	140	162	60.63	60.17	63.30	63.10
2-1/2"	65	133.6	214	160	189	73.38	72.85	75.30	75.10
3"	80	168	254	180	232	89.31	88.70	90.40	90.10
4"	100	194.8	291	200.5	264	114.76	114.10	110.40	110.10



SWING CHECK VALVE UPVC - VANFIT

Model : VF2

Specification : DN20 - DN150

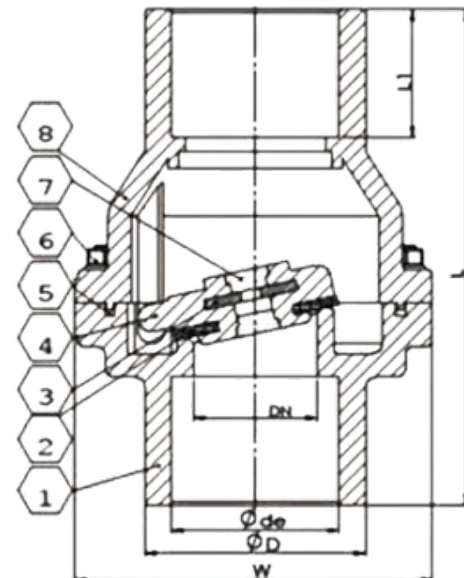
Materials : UPVC

Working Pressure : PN10

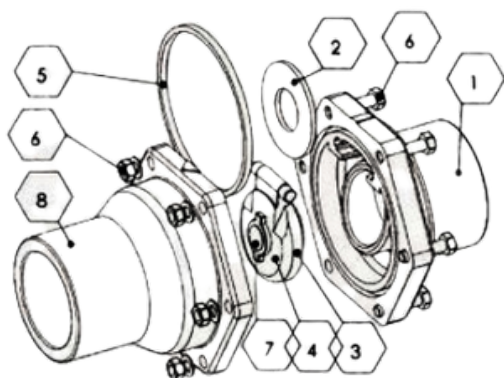
Working Temperature : 0°C - 45°C

Standards : DIN ANSI

Connection : Socket



SPECIFICATION OF MATERIAL



No	Name of Part	Materials	Qty
1	Lower Body	UPVC	1
2	Ring	EPDM/FPM	1
3	Balancing Weight	STEEL	3
4	Valve Core	UPVC	1
5	Sealing Ring	EPDM/FPM	1
6	STEEL	304	4-12
7	Cover	UPVC	2
8	Upper Body	UPVC	1

DN	L1	L	W	de	
				ANSI	DIN
20	27	98	64	26.87	25.30
25	27	107	75	33.65	32.30
32	34	130	110	42.42	40.30
40	38	147	120	48.56	50.30
50	39	162	140	60.63	63.30
65	45	198	148	76.70(CNS)	75.30
80	55	233	170	89.31	90.40
100	75	295	198	114.76	110.40
125(125)	75	385	281	125.5	125.5
125(140)	80	385	281	140.3	140.3
150	119	428	281	168.83	160.50
200	135	442	330	219.9	200.30



BUTTERFLY VALVE HANDLE TYPE UPVC - VANFIT

Model : VF3

Specification : DN50 - DN200

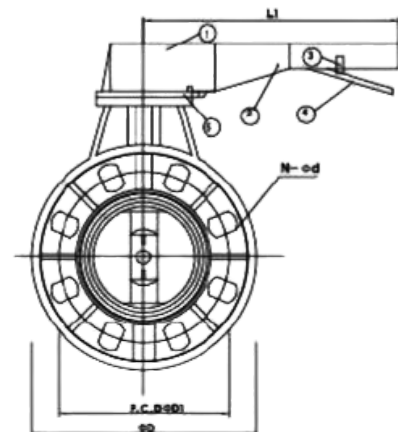
Materials : UPVC

Working Pressure : PN10

Working Temperature : 0°C - 45°C

Standards : DIN ANSI JIS CNS

Connection : FLANGE



SPECIFICATION OF MATERIAL

No	Name of Parts	Material	Qty
1	Body	UPVC	1
2	Seat Seal	NBR, EPDM	1
3	Disc	UPVC	1
4	O-ring	NBR, EPDM	2
5	Stem	STEEL , SUS304	1
6	Bear	ABS	1
7	Plate	ABS	1
8	Screw	STEEL	4
9	Cap	ABS	4
10	Handle	ABS	1
11	Spring	304	1
12	Lever	ABS	1
13	Set pin	STEEL	1
14	Bolt	STEEL	1
15	Mark Cap	ABS	1



DN	Inch	ΦD	P.C.D. ΦD1			Φd	L	L1	H1	H2	H	N-Φe		
			DIN	ANSI	JIS							DIN	ANSI	JIS
50	2"	160	125	121	120	52	43	200	104	140	225	4*19	4*19	4*19
65	2.5"	180	145	140	140	66	46	200	114	150	245	4*19	4*19	4*19
80	3"	200	160	152	150	78	49	240	125	168	280	8*19	4*19	8*19
100	4"	230	180	191	175	101	55	240	140	183	315	8*19	8*19	8*19
125	5"	250	210	216	210	127	65	310	154	211	360	8*19	8*19	8*19
150	6"	280	240	241	240	151	70	310	165	222	390	8*23	8*23	8*23
200	8"	335	295	298	290	200	88	310	228	285	465	8*23	8*23	12*23



FLANGE BUTTERFLY VALVE UPVC - VANFIT

Model : VF4

Specification : DN50 - DN315

Materials : UPVC

Working Temperature : 0°C - 45°C

Standards : DIN ANSI

Connection : FLANGE

Working Pressure :

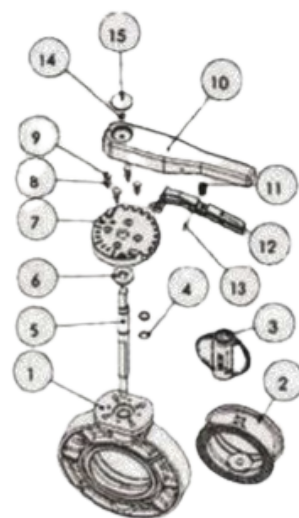
- DN50 - DN200 PN10

- DN250 - DN315 PN6

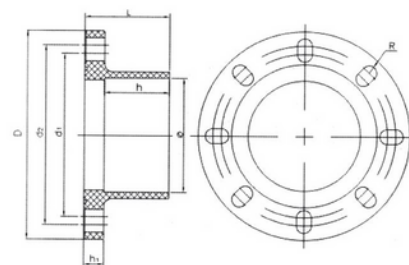


SPECIFICATION OF MATERIAL

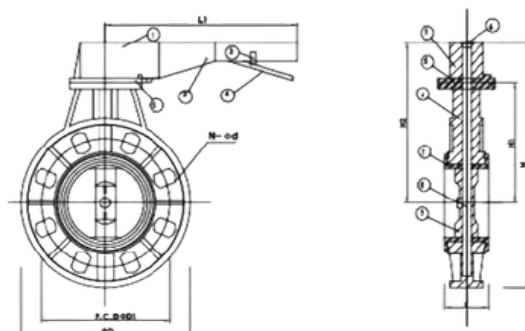
No	Name of Parts	Material	Qty
1	Body	UPVC	1
2	Seat Seal	NBR, EPDM	1
3	Disc	UPVC	1
4	O-ring	NBR, EPDM	2
5	Stem	STEEL, SUS304	1
6	Bear	ABS	1
7	Plate	ABS	1
8	Screw	STEEL	4
9	Cap	ABS	4
10	Handle	ABS	1
11	Spring	304	1
12	Lever	ABS	1
13	Set pin	STEEL	1
14	Bolt	STEEL	1
15	Mark Cap	ABS	1



Size	Spec						
	D	d1	d2	L	h	n	PN
ø60mm	165	110	125	55.5	40.5	4	10
ø75mm	185	130	145	58	51	4	10
ø90mm	195	150	160	63.5	57.5	8	10
ø110mm	225	180	/	85	64	8	10
ø125mm	250	210	220	81.5	69	8	10
ø140mm	255	200	220	102	78	8	10
ø160mm	285	240	/	111.5	88	8	10
ø200mm	338	295	/	141.5	108	8	10
ø250mm	395	350	/	151	131	12	10
ø280mm	405	350	/	169	147	12	10
ø315mm	445	400	/	182	164	12	10



DN	Inch	ΦD	P.C.D. ΦD1			Φd	L	L1	H1	H2	H	N-Φe		
			DIN	ANSI	JIS							DIN	ANSI	JIS
50	2"	160	125	121	120	52	43	200	104	140	225	4*19	4*19	4*19
65	2.5"	180	145	140	140	66	46	200	114	150	245	4*19	4*19	4*19
80	3"	200	160	152	150	78	49	240	125	168	280	8*19	4*19	8*19
100	4"	230	180	191	175	101	55	240	140	183	315	8*19	8*19	8*19
125	5"	250	210	216	210	127	65	310	154	211	360	8*19	8*19	8*19
150	6"	280	240	241	240	151	70	310	165	222	390	8*23	8*23	8*23
200	8"	335	295	298	290	200	88	310	228	285	465	8*23	8*23	12*23
250	10"	400	350	362	355	255	101	210	258		535	12*25	12*25	12*25
315	12"	460	400	432	400	303	106	210	305		590	12*25	12*25	16*25



BUTTERFLY VALVE GEAR BOX TYPE UPVC - VANFIT

Model : VF5

Specification : DN80 - DN500

Materials : UPVC

Working Pressure :

- DN80 - DN200 PN10

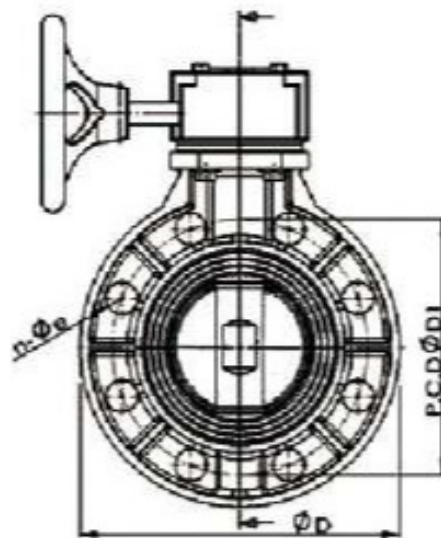
- DN250 - DN300 PN6

- DN350 - DN500 PN4

Working Temperature : 0°C - 45°C

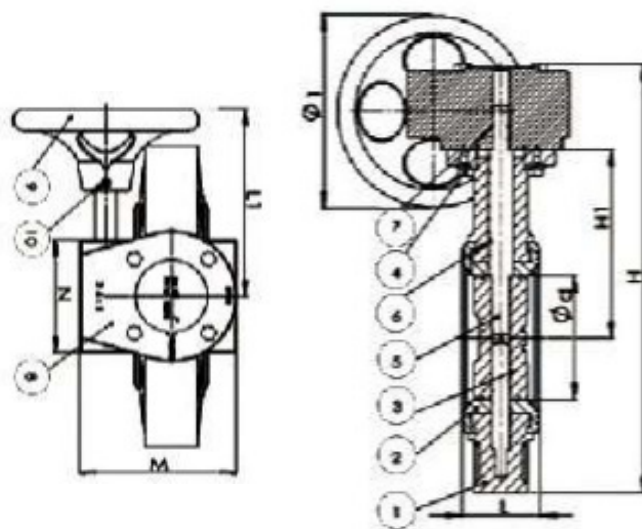
Standards : DIN ANSI JIS CNS

Connection : FLANGE



SPECIFICATION OF MATERIAL

No	Name Of Parts	Materials	Qty
1	Body	UPVC	1
2	Seat	NBR, EPDM	1
3	Disc	UPVC	1
4	Screw	STEEL	4
5	Stem	STEEL , SUS304	1
6	O-ring	NBR EPDM FPM	2
7	Connector	STEEL	1
8	Grear Box	IRON	1
9	Handwheel	STEEL	1
10	Pin	STEEL	1



DN	INCH	ΦD	PCD, ΦD1			Φd	L	L1	H1	H	N-Φe		
			DIN	ANSI	JIS						DIN	ANSI	JIS
80	3"	195	160	152	150	78	49	140	125	300	8*19	8*19	8*19
100	4"	225	180	191	175	101	55	140	140	340	8*19	8*19	8*19
125	5"	250	210	216	210	127	65	200	154	370	8*19	8*19	8*19
150	6"	280	240	241	240	151	70	200	165	395	8*23	8*23	8*23
200	8"	345	295	298	290	200	88	200	228	470	8*23	8*23	12*23
250	10"	400	350	362	355	255	101	210	258	535	12*25	12*25	12*25
300	12"	460	400	432	400	303	106	210	305	590	12*25	12*25	16*25
350	14"	510	450	476	445	338	110	280	325	678	16*25	12*29	16*25
400	16"	570	503	540	510	390	113	280	350	733	16*27	16*29	16*27
450	18"	607	553			420	113	280	390	810	20*26		
500	20"	680	620			495	145	300	395	880	20*32		



FOOT VALVE UPVC - VANFIT

Model : VF6

Specification : DN65-DN200 (2-1/2"-8")

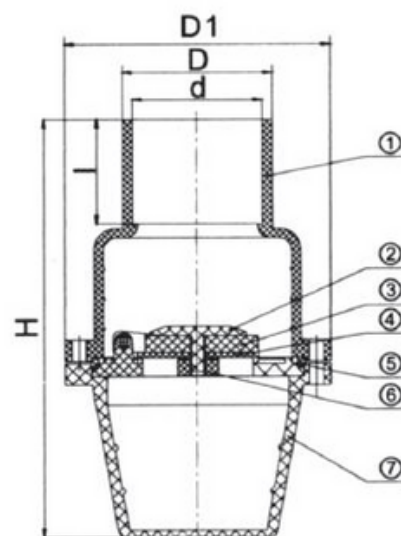
Materials : UPVC

Working Pressure : PN10

Working Temperature : 0°C - 45°C

Standards : ANSI , JIS , DIN

Connection : SOCKET



SPECIFICATION OF MATERIAL

NO	PART	MATERIAL	NO	PART	MATERIAL
1	BODY	UPVC	5	BOLT	SS201/SS304
2	O-RING	NBR/EPDM	6	SCREW	SS201/SS304
3	SWING/GATE	UPVC	7	SEAT SEAL	TPE
4	PIN	UPVC	8	GRABAGE FILTER	UPVC

SIZE

Φ75mm	Φ76mm	Φ90mm	Φ110mm	Φ114mm	Φ125mm*
Φ140mm	Φ160mm	Φ168mm	Φ200mm	* Mặt bích	

BALL VALVE UPVC - VANFIT

Model : VF7

Specification : DN65-DN200 (2-1/2"-8")

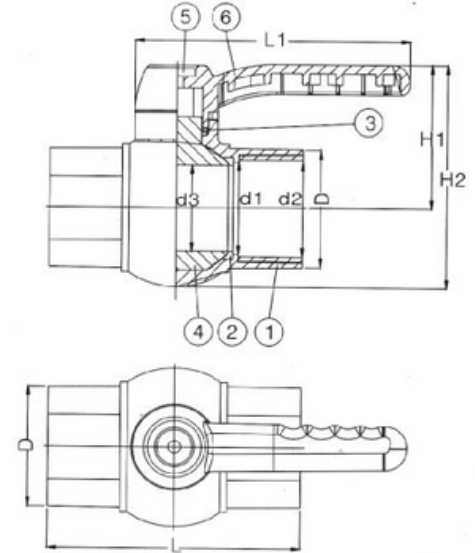
Materials : UPVC

Working Pressure : PN10

Working Temperature : 0°C - 45°C

Standards : ANSI , JIS , DIN

Connection : SOCKET

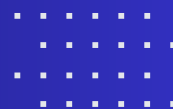


SPECIFICATION OF MATERIAL

NO	PART	MATERIAL	NO	PART	MATERIAL
1	BODY	UPVC	4	BALL	PP/ABS/UPVC
2	SEAT SEAL	TPE	5	HANDLE	ABS/PP/PVC
3	STEM O-RING	NBR/EPDM	6	CAP	ABS/PVC

SIZE

Φ75mm	Φ76mm	Φ90mm	Φ110mm	Φ114mm	Φ125mm
Φ140mm	Φ160mm	Φ168mm	Φ200mm		



WAFER CHECK VALVE UPVC - VANFIT

Model : VF27

Specification : DN50-DN300

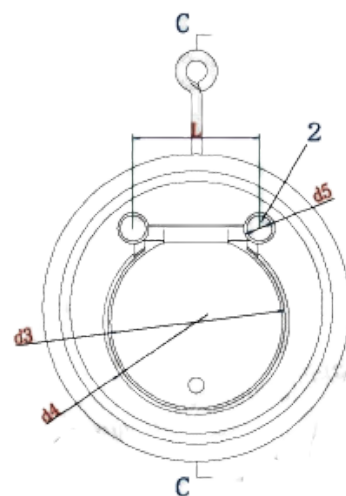
Materials : UPVC

Working Pressure : PN10

Working Temperature : 0°C - 45°C

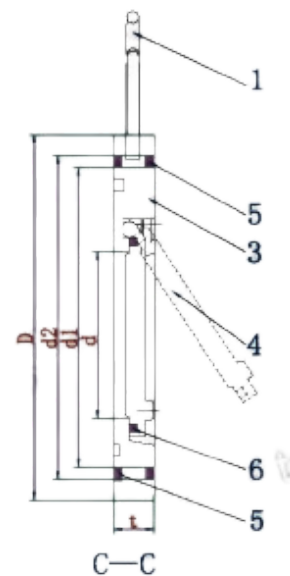
Standards : ANSI , JIS , DIN

Connection : FLANGE

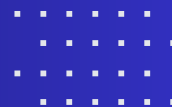


SPECIFICATION OF MATERIAL

NO	PARTS	MATERIAL	QTY
1	SCREW	SS304,GANALIZED STEEL	1
2	FASTENER	UPVC	2
3	BODY	UPVC	1
4	DISC	UPVC	1
5	BODY O-RING	EPDM	2
6	DISC O-RING	EPDM	1

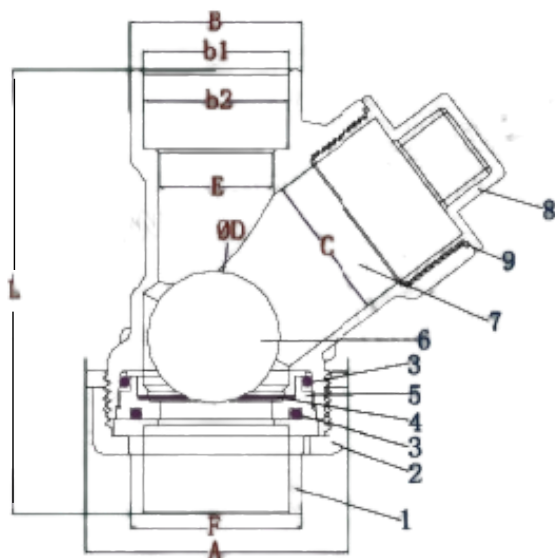


DN	SIZE	R	D		d1		d2		d3	d4	d5	L	t	d
			DIN	ANSI	DIN	ANSI	DIN	ANSI						
50	2"	59.5	108.5	101	80.5	80.5	87.7	87.7	50.8	53	12	45.8	19.2	30.8
65	2-1/2"	58.7	130	118	90.6	95.2	100.2	104.8	63.6	67.3	11.8	42.2	19.4	38
80	3"	48.7	144.4	129	109.5	109.7	120.5	120.7	78.7	81.7	13	52.3	20.8	52.8
100	4"	85.9	163.6	154	142	137.6	151.6	142.5	93.8	95.4	15.9	73.8	24	70
125	5"	118	194	187	159.9		173		111.2	116	19.6	81.8	22.4	88
150	6"	137.5	218.9	219	192.7	192.7	204.2	204.2	142.6	145.5	18.9	84	25.3	110.6
200	8"	194.3	282	265	250	245.7	263.7	252.4	183.2	190.8	19.7	111.8	34.2	149



BALL CHECK VALVE Y TYPE - VANFIT

Model : VF28*
Specification : DN15-DN50
Materials : UPVC
Working Pressure : PN10
Working Temperature : 0°C - 45°C
Standards : ANSI
Connection : SOCKET



SPECIFICATION OF MATERIAL

NO	PART	MATERIAL	QTY
1	END CONNECTOR	UPVC	1
2	UNION NUT	UPVC	1
3	O-RING	EPDM	2
4	GASKET	EPDM	1
5	CARRIER	UPVC	1
6	BALL	UPVC	1
7	BODY	UPVC	1
8	MALE PLUG	UPVC	1
9	O-RING	EPDM	1

SIZE	A	Ød	F	L	b1	b2
1/2"						
3/4"						
1"						
1-1/4"						
1-1/2"	94	48.3	62	162.7	50.4	63.4
2"	117.6	58	75.4	194.5	49.8	62.8